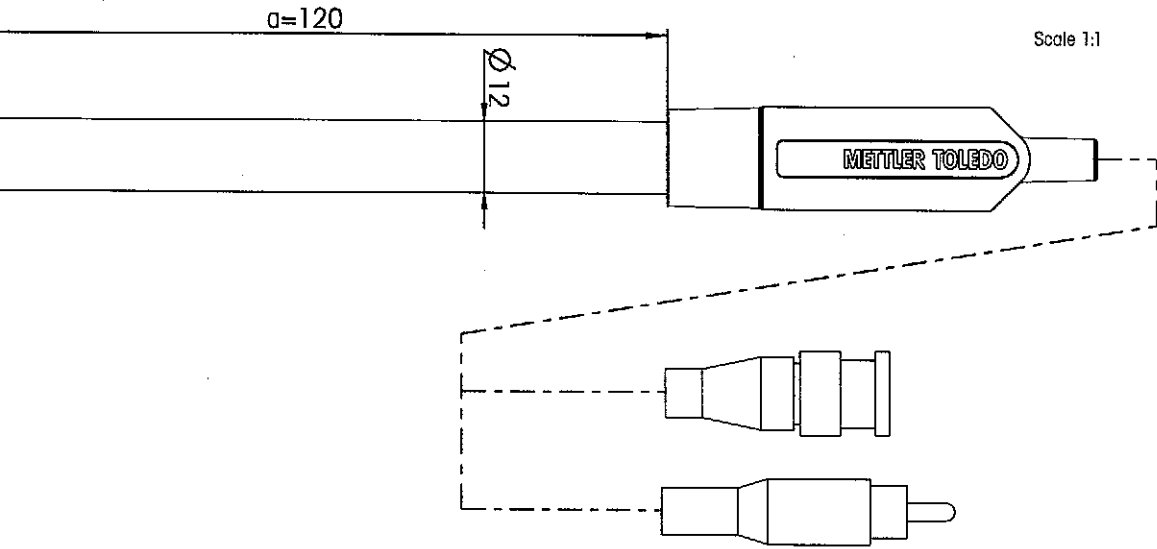


InLab® Expert Pro-ISM

For general applications in the lab and outdoor;
robust and maintenance-free

pH Ref °C ISM

Scale 1:1



Sensor type combined pH electrode

Order number 30014096

Specifications

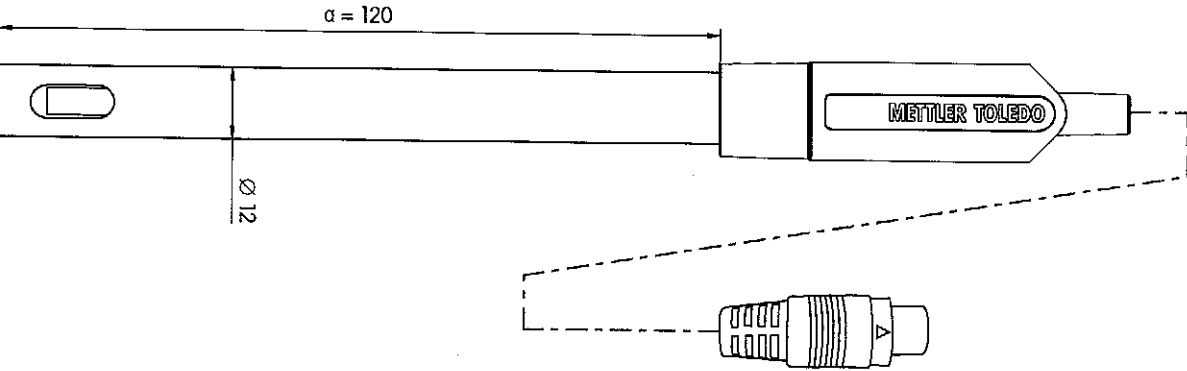
pH range	0...14
zero point (pH)	7.00 ± 0.25
temperature range	0...100 °C
temperature probe	NTC 30 kΩ
shell material	PEEK
meritane glass	II
membrane resistance	< 250 MΩ
reference system	ARGENTHAL™
reference diaphragm	double open junction
reference electrolyte	XEROLYT® polymer
bridge electrolyte	-
electrode head	-
cable length	1.2 m
connector	BNC / RCA (inch)
cell constant (cm ⁻¹)	-
cell type	-
indicating metal	-
Storage	
InLab Storage solution (3011142)	
or FRSCOLYT-B® (51340063)	

InLab® 741-ISM

For low conductivity range samples like pure water and ultra pure water.

Cond °C ISM

Scale 1:1



Sensor type	conductivity cell
Order number	30014094
Specifications	
measuring range	0.001...500 µS/cm
zero point (pH)	-
temperature range	0...100 °C
temperature probe	NTC 30 kΩ
shaft material	stainless steel
membrane glass	-
membrane resistance	-
reference system	-
reference diaphragm	-
reference electrolyte	-
bridge electrolyte	-
electrode head	-
cable length	1.2 m
connector	Mini-DIN
cell constant (cm ⁻¹)	0.105 (certified)
cell type	2 steel poles
indicating meter	-
Storage	
dry	-